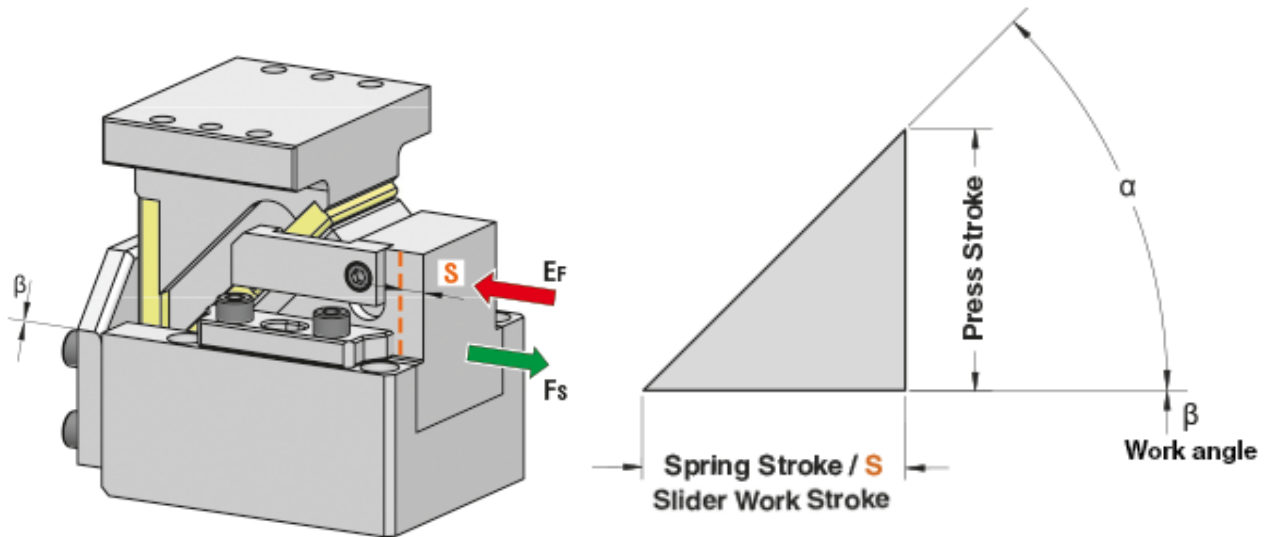


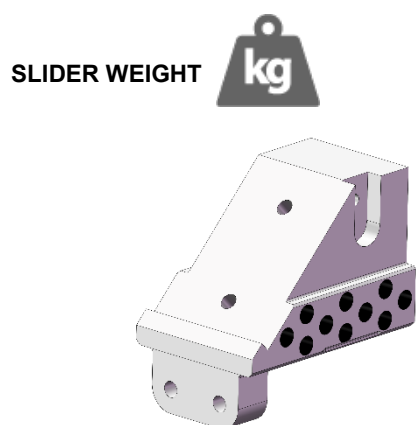
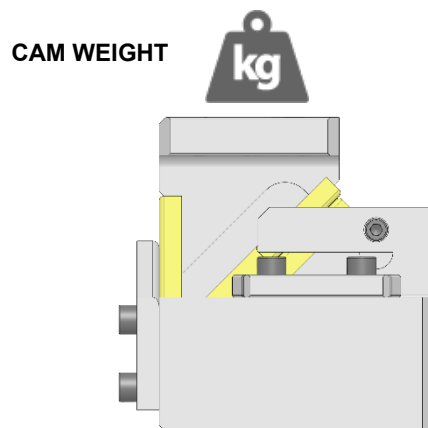
1. CAM DIAGRAM



OMCR CODE	Work Angle β	Slider Work Stroke S (mm)	Press Stroke (mm)	Spring Stroke (mm)	$\alpha - \beta$	α
DHC052.00.25	0°	25	25	25	45°	45°
DHC052.00.40	0°	40	40	40	45°	45°
DHC052.00.60	0°	60	60	60	45°	45°

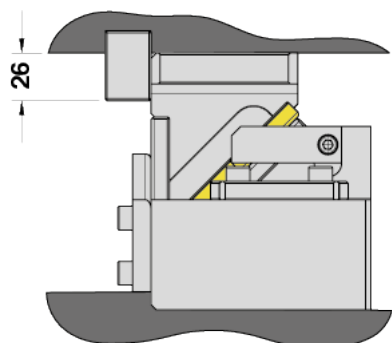


2. CAM WEIGHT INFORMATIONS

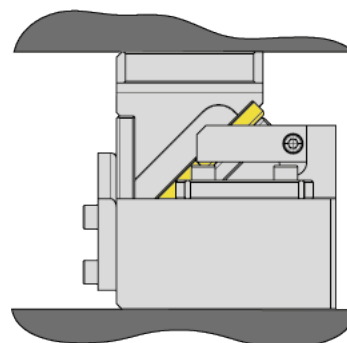


OMCR CODE	CAM WEIGHT [kg]	SLIDER WEIGHT [kg]
DHC052.00.25	8.011	1.704
DHC052.00.40	9.003	1.806
DHC052.00.60	11.963	2.466

3. CAM MOUNTING INFORMATIONS



Assembly with shoulder
Max performances.



Assembly without shoulder
Compact installation.



4. WORK FORCE DISTRIBUTION (kN) FOR 1 MILLION CYCLES

The following diagrams illustrate the maximum possible ranges of applicable forces in several portions of the work area but always working in the exact direction of slider work stroke. If several forces are applied simultaneously on the work area, their common center has to be specified and compared with the tabular infos. The sum of all forces has to be lower than the corresponding tabular value.



Max Work Force with shoulder on Cam Driver



Max Work Force without shoulder

Assembly with shoulder

		WIDTH		
		17	18	17
HEIGHT	20	19	31	19
	25	20	38	20
	20	18	34	18

Assembly without shoulder

		WIDTH		
		17	18	17
HEIGHT	20	9	15	9
	25	10	19	10
	20	9	17	9